

VESSEL DATA SHEET

Design Parameters	
Pressure, Max. at Inlet	1,480 psi
Temperature	100 F
Corrosion Allow.	0.00"
Code Standard	ASME Sect. VIII, Div. 1
Stamped?	No

Operating Parameters	
Pressure, Max.	1,480 psi
Temperature	100 F
Typical Flow Rate	1.5 MMscfh @ 1400 psi
Gas Specific Gravity	0.60

Vessel Testing	
Hydrotest Pressure	2,220 psi
Pneumatic Test Pressure	N/A
Radiograph	None
Magnetic Particle	None
Dye Penetrant	None

Filtration Performance	
Filter Element P/N	2394K5
Type of Filter Media	Polyester
Retention Rating	10 micron
Efficiency of Retention	99.9%
No. of Elements	1
Design Clean Press. Drop	Less than 1.0 psid
Changeout Press. Drop	At 9 psid

Closure Specifications	
Type	Blind Flange
Gasket Type	P/N 8-600
Type of Lifting Assistance	Lifting Lug/Handle

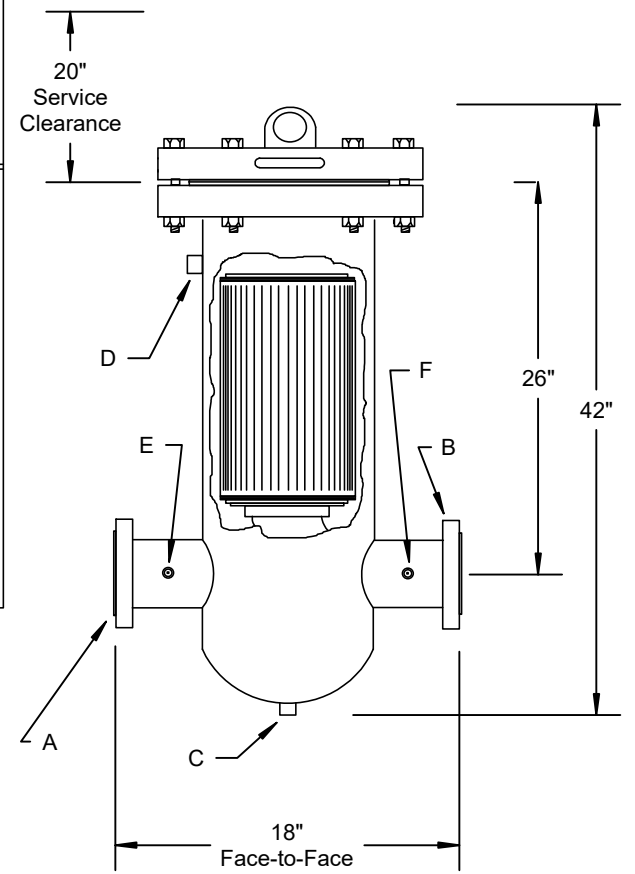
Internal Finish	
Sandblast	Light
Oil Coat	None
Glyptol Coat	None

External Finish	
Sandblast	SP-10 Commercial
Finish Coat	(2) Coats Grey Enamel Direct-to-Metal Finish

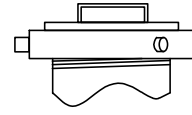
Schedule of Openings						
Service	See Dwg.	Qty.	Size	Rating	Type	
Inlet	A	1	3"	600# ANSI	Flange	
Outlet	B	1	3"	600# ANSI	Flange	
Drain	C	1	1/2"		Coupling	
Vent	D	1	1/2"		Coupling	
Press. Tap	E	1	1/4"		Coupling	
Press. Tap	F	1	1/4"		Coupling	

Materials of Construction			
			Thickness
Shell	SA53B		0.500"
Bottom Head	SA234WPB		0.500"
Closure Head	SA105	ANSI 600# Flange	
In/Out Piping	SA53B		0.300"
Flanges	SA105	ANSI 600# RF Fig	
Couplings	SA105	3000#	
Closure Gasket	Fiber Flat Gasket		
Closure Pipe	N/A		
Legs	N/A		
Ring Base	N/A		

Shipping Information		
Total Weight		480#



Optional Threaded
Quick Opening
Kimray Knock-Off
Closure



FilterFab
MANUFACTURING CORPORATION

Model F3-1480F Gas Line Filter