

VESSEL DATA SHEET

Design Parameters	
Pressure, Max. at Inlet	285 psi
Temperature	100 F
Corrosion Allow.	0.00"
Code Standard	ASME Sect. VIII, Div. 1
Stamped?	Optional

Operating Parameters	
Pressure, Max.	285 psi
Temperature	100 F
Gas Flow Rate	700,000 scfh @ 285 psi
Gas Specific Gravity	0.60

Vessel Testing	
Hydrotest Pressure	428 psi
Pneumatic Test Pressure	N/A
Radiograph	Optional with U-Stamp
Magnetic Particle	Optional with U-Stamp
Dye Penetrant	Optional with U-Stamp

Filtration Performance	
Filter Element P/N	#415-S
Type of Filter Media	Borosilicate Fiberglass
Retention Rating	0.3 micron
Efficiency of Retention	99.9%
No. of Elements	1
Design Clean Press. Drop	0.33 psid
Changeout Press. Drop	10 psid

Closure Specifications	
Type	Blind Flange
Gasket Type	Fiber Type, #8-150
Type of Lifting Assistance	Hinge/Handle

Internal Finish	
Sandblast	Light
Oil Coat	None
Glyptol Coat	None

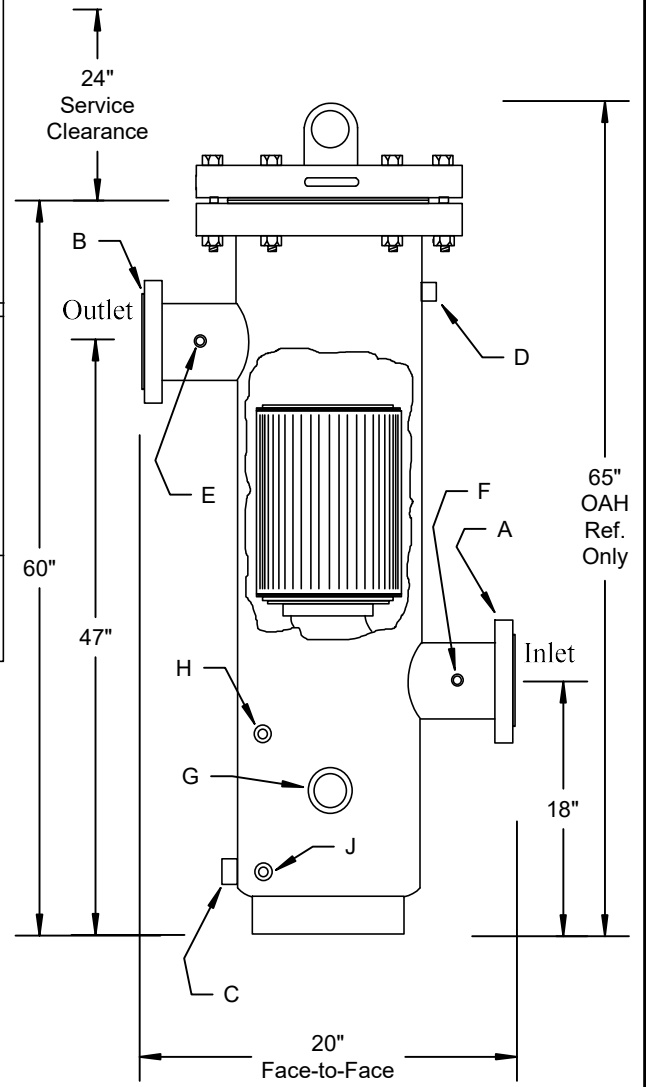
External Finish	
Sandblast	SP-10 Commercial
Finish Coat	(2) Coats PPG Grey Enamel Primer/Finish

Sump Capacity	4 gallons
---------------	-----------

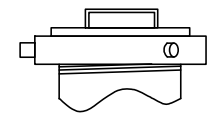
Schedule of Openings						
Service	See Dwg.	Qty.	Size	Rating	Type	
Inlet	A	1	4"	150# ANSI	Flange	
Outlet	B	1	4"	150# ANSI	Flange	
Drain	C	1	1"	3000#	Coupling	
Vent	D	1	1/2"	3000#	Coupling	
Press. Tap	E	1	1/4"	3000#	Coupling	
Press. Tap	F	1	1/4"	3000#	Coupling	
Float Switch	G	1	2"	3000#	Coupling	
Sight Glass	H	1	1/2"	3000#	Coupling	
Sight Glass	J	1	1/2"	3000#	Coupling	

Materials of Construction		
Shell	SA53B	Thickness 0.322"
Bottom Head	SA234WPB	0.322"
In/Out Piping	SA53B	0.337"
Flanges	SA105	ANSI 150#
Couplings	SA105	3000#
Closure Gasket	Fiber Flat Gasket	
Ring Base	SA53B	0.188"

Shipping Information	
Total Weight	250#



Optional Threaded
Quick Opening
Kimray Knock-Off
Closure



FilterFab
MANUFACTURING CORPORATION

Model C4-285F Coalescing Filter